



Connecting Through Innovation!

# COMMANDER SMART-TOUCH SWITCH PANELS

## SAFETY & OPERATION MANUAL



www.ktcables.com.au

# COMMANDER SMART-TOUCH SWITCH PANELS

Congratulations on the purchase of your new KT Commander Smart-Touch Switch Panel. Please read this manual thoroughly before using your switch panel and ensure all safety directions and warnings are followed. Please retain this manual for later reference if required.

Your KT Commander Smart-Touch Switch Panel provides an easy way to control your 12V devices by incorporating innovative smart-touch technology. The KT Commander Smart-Touch Switch Panel is available in 4 Way, Single Voltage Display and 8 Way Dual Voltage Display. The KT Commander Smart-Touch Switch Panels are the ideal mastery control to power lighting and other 12V devices in Caravans, Motorhomes, Vehicles, Heavy Machinery, Boats and more.

Each circuit provides a large 20 Amp output per circuit (4 Way provides 40Amps total and 8 Way provides 60 Amps total). The KT Commander Smart-Touch Switch Panel includes 48 programmable icons that can be easily changed to suit the application.

### FEATURES:

- Basic D.I.Y Wiring & Installation
- 4 Way Switch Panel, 20 Amps per circuit (40 Amps total)
- 8 Way Switch Panel, 20 Amps per circuit (60 Amps total)
- 30 Amp built in relay per 20 Amp circuit
- Single & Dual LCD Voltage Display
- BLUE 'On' and default AMBER 'Off' Backlit Touch Screen for easy On/Off identification
- Includes icons to suit a wide range of applications (more specialty icons available)
- Suitable for automotive and marine applications
- 12 Months Warranty on manufacture & build

### IMPORTANT NOTICE TO USERS PRIOR TO INSTALLATION OF THIS PRODUCT

Each of the 4 circuits on the KT 4 Way Commander Switch Panel is capable of running up to 20Amps, however the MAX Amp rating of the entire unit together is 40Amps total. **We recommend not exceeding the MAX Amp rating of 40Amps for this unit.**

Each of the 8 circuits on the KT 8 Way Commander Switch Panel is capable of running up to 20Amps, however the MAX Amp rating of the entire unit together is 60Amps total. **We recommend not exceeding the MAX Amp rating of 60Amps for this unit.**

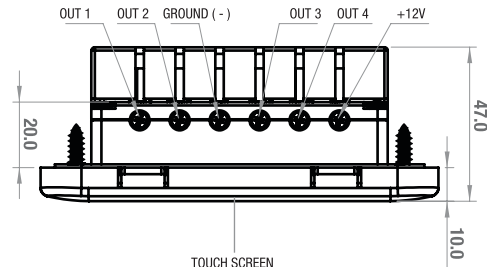
It is also recommended to understand the Amp Draw of each device that may be used with the commander switch panel prior to installation. Failure to abide by this recommendation may result in over-heating or damage to connected devices.

Automotive Electrical & 4WD Accessories takes no responsibility for any damage caused by exceeding the Maximum Amp Rating Provided for each unit.

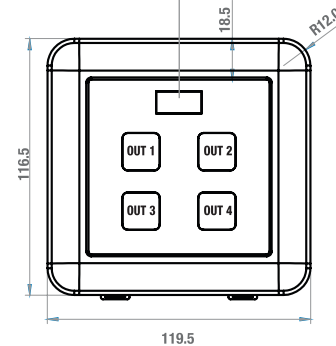
Page 1

### CONTROLS:

The KT 4 Way Commander Smart-Touch Switch Panel provides the following circuits: Model No. KT70952



TOUCH SCREEN  
SINGLE VOLTAGE DISPLAY

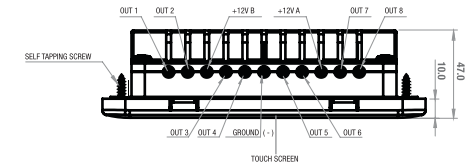


Page 2

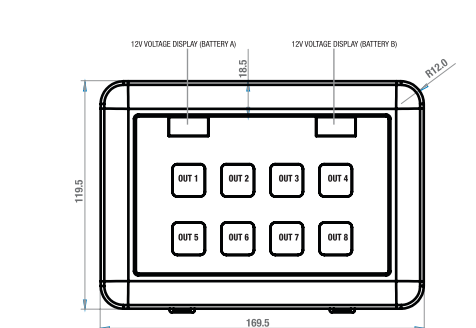
### CONTROLS:

The KT 8 Way Commander Smart-Touch Switch Panel provides the following circuits: Model No. KT70954

The KT 8 Way Commander Smart-Touch Switch Panel is ideal for dual battery systems.



TOUCH SCREEN  
SINGLE VOLTAGE DISPLAY



Page 3

### MOUNTING:

1. Prepare the area to mount the switch panel. Use the mounting guides on pages 8-10 as a template to measure and drill holes. Mounting guides provided are scaled to the exact size of your KT Commander Smart-Touch Switch Panel.
2. Once your area has been prepared, drill the mounting holes to suit the self tapping screws included with your KT Commander Smart-Touch Switch Panel.

### INSTALLATION:

3. When installing 4 Way (Single Voltage Display) KT Commander Smart-Touch Switch Panel, ensure to run the GROUND (-) wire to the battery and the Positive (+) to the battery. When installing the 8 Way (Dual Voltage Display) KT Commander Smart-Touch Switch Panel, ensure to run the GROUND (-) wire to the battery and the Positive (+) to Battery A and the other Positive (+) to Battery B.
4. When connecting 12V devices, follow the circuit diagram on pages 2 and 3 for easy identification of each switch and the relating terminals/circuits to connect your Positive (+) wire.
5. Your KT Commander Switch Panel will be installed differently depending on the application. See Installation Safety Warnings at the start of this manual before installing your switch panel.

6. For 4 Way KT Commander Smart-Touch Switch Panels: Once you have connected GROUND (-) wire and Positive (+) wire to the battery, your switch is now live and will immediately provide your batteries voltage reading (providing your isolation switch is also turned 'ON'.

For 8 Way KT Commander Smart-Touch Switch Panels: Once you have connected GROUND (-) wire and one Positive (+) wire to battery A and one Positive (+) wire to battery B, your switch is now live and will immediately provide a voltage reading for battery A and battery B.

7. When connecting to a 12V device, eg: a work light, connect the positive wire to one of the switches of choice. Providing the device has been grounded through the Negative Wire, your device should now be live.

8. Select the icons of your choice which best indicate the application of your device. See page 6 for the comprehensive range of icons included with your KT 4 and 8 Way Commander Smart-Touch Switch Panel. Remove the black frame and glass covering before applying icons. Icons stick easily onto the clear recess covering the switch panel touch button and can be easily removed to change the use of the switch.

**PROTECTION:** It is highly recommended to use a fuse holder within the circuit, between your device and the switch panel for protection. Should this recommendation not be followed, your device is at risk of damage should an electrical fault be present. Ensure to follow these instructions to avoid voiding warranty.

### IMPORTANT:

The KT Commander Smart-Touch Switch Panels are splashproof when mounted correctly and can be used for a variety of applications including Caravans, Motorhomes, Vehicles, Heavy Machinery, Boats and more. Should you be using your KT Commander Smart-Touch Switch Panel for marine applications including on boats or yachts, it is recommended to mount your switch panel in a location where the panel won't be directly exposed to water. Exposing your KT Commander Smart-Touch Switch Panel to water may result in damage to either your panel, your circuits or your connected devices and all warranties will be void.

Page 4

### Operation Instructions

The KT 4 & 8 Way Commander Smart-Touch Switch Panel is a simple and efficient way to control your devices from one location.



1. The KT Commander Smart-Touch Switch Panel buttons will illuminate BLUE to indicate that a circuit/device is turned 'ON' and ACTIVE.
2. The KT Commander Smart-Touch Switch Panel buttons will illuminate AMBER to indicate when a circuit/device is turned 'OFF' and INACTIVE.
3. When a circuit is turned 'ON' or 'OFF', the KT Commander Smart-Touch Switch Panel will make a 'click' sound.
4. The Single Voltage Display for the KT 4 Way Commander Smart-Touch Switch Panel and the Dual Voltage Display for the KT 8 Way Commander Smart-Touch Switch Panel will immediately provide the battery/batteries voltage. The voltage will drop once devices are turned 'On'.

### Specifications

4 Way KT Commander Smart-Touch Switch Panel Technical Specifications (Model No. KT70952)	8 Way KT Commander Smart-Touch Switch Panel Technical Specifications (Model No. KT70954)		
Rated Working Voltage	12V	Rated Working Voltage	12V
Standby Current Consumption	70mA	Standby Current Consumption	230mA
Min. Operating Voltage	8.5V	Min. Operating Voltage	8.5V
Max. Operating Voltage	18V	Max. Operating Voltage	18V
Single Switch Rated Output Current	20A	Single Switch Rated Output Current	20A
Single Switch Rated Max. Loading Current	20A	Single Switch Rated Max. Loading Current	20A
Single Switch Rated Output Power	240W	Single Switch Rated Output Power	240W
Single Switch Rated Loading Power	205W	Single Switch Rated Loading Power	205W
Switch Response Time	< 60ms	Switch Response Time	< 60ms
Ambient Temperature Range	minus 20°C to 80°C	Ambient Temperature Range	minus 20°C to 80°C
Relative Humidity	10 - 80%	Relative Humidity	10 - 80%

Page 5

### Icons Included

The KT 4 & 8 Way Commander Smart-Touch Switch Panel includes a wide range of icons used to identify each switch. Select the icon which best indicates the application.



Page 6

### SAFETY:

The KT Commander Smart-Touch Switch Panels are splashproof when mounted correctly and can be used for a variety of applications including Caravans, Motorhomes, Vehicles, Heavy Machinery, Boats and more.



Should you be using your KT Commander Smart-Touch Switch Panel for marine applications including on boats or yachts, it is highly recommended to mount your switch panel in a location where it will not be exposed to direct sunlight, water or rain.

Failure to follow these instructions may result in water damage to either your panel, your circuits or your connected devices and all manufacturing warranties will be void. The KT Commander Smart-Touch Switch Panels are manufactured using UV resistant materials, however mounting your Switch Panel in a location where it may be exposed to direct sunlight is not recommended.

### CLEANING:

The best way to clean your KT Commander Smart-Touch Switch Panel is by using a microfibre cloth. To clean dirt or dust from underneath the glass touch panel, use a gentle detailing brush. To clean finger prints off the external glass touch surface, use a lightly dampened microfibre cloth.

### IMPORTANT:

Do not apply any cleaning products to your KT Commander Smart-Touch Switch Panel.

### WARRANTY AGAINST DEFECTS:

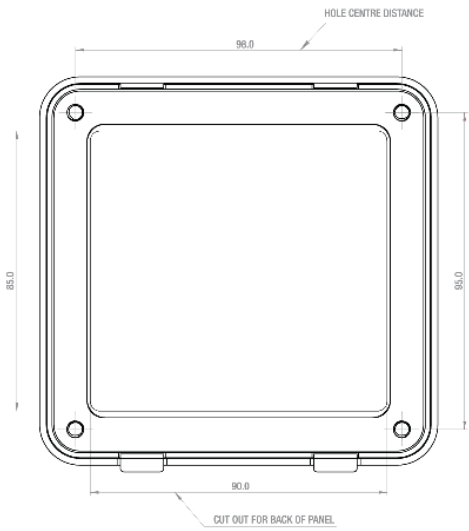
Your KT Commander Smart-Touch Switch Panel is warranted against defects under the terms of the manufacturer's warranty, if any, displayed on or provided with the product. However, if there is no manufacturer's warranty or if that warranty does not comply with Australian law, KT Cable Accessories Pty Ltd provides a warranty against defects for 12 months from the date of purchase on the following terms.

TO MAKE A CLAIM, EITHER RETURN THE PRODUCT TO THE PLACE OF PURCHASE OR CALL 1300 559 953 FOR YOUR NEAREST KT DISTRIBUTION CENTRE. PROOF OF PURCHASE IS REQUIRED.

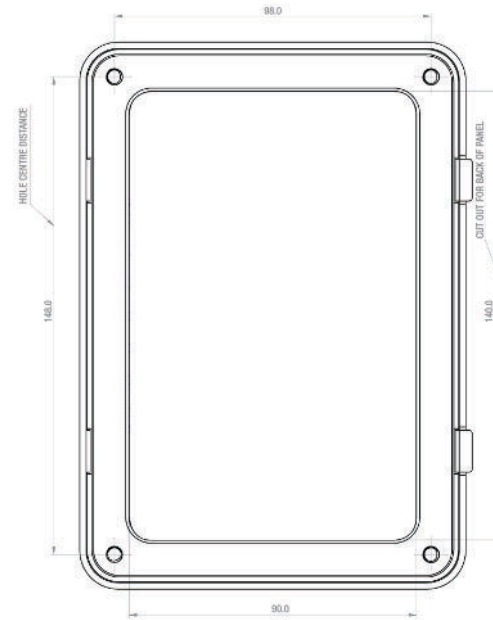
For valid claims, KT Cable Accessories Pty Ltd will replace the product free of charge. The warranty excludes defects from after sale damage, neglect, abuse or incorrect installation. You bear all transportation costs to and from the KT Cable Accessories Pty Ltd location.

The Benefits of this warranty are in addition to any other rights and remedies available at law. Our goods come with guarantees that cannot be excluded under the Australian Consumer Law. You are entitled to a replacement or refund for a major failure and for compensation for any other reasonably foreseeable loss or damage. You are also entitled to have the goods repaired or replaced if the goods fail to be of acceptable quality and the failure does not amount to a major failure.

Page 7

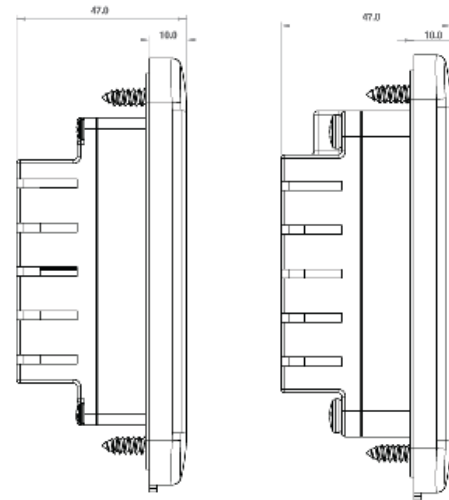


Page 8



Page 9

The KT 4 Way Commander Smart-Touch Switch Panel Model No. KT70952      The KT 8 Way Commander Smart-Touch Switch Panel Model No. KT70851



Page 10

PLEASE READ BEFORE INSTALLING  
**IMPORTANT SAFETY INFORMATION**

**FOR CARAVAN & MARINE APPLICATIONS**

To prevent draining your battery, it is recommended to use an On/Off Isolation Switch in conjunction with your KT Commander Smart-Touch Switch Panel. This will allow you to turn your switch panel 'OFF' when not in use.

**FOR AUTOMOTIVE & MOTORHOME APPLICATIONS**  
(or any application with an ignition)

When installing the Commander Smart-Touch Switch Panel into a vehicle or motorhome, it is recommended to install a relay to control the panel supply current. The relay if connected via ignition will disconnect the panel when the vehicle is not in use.

In this example, we have installed a 8 Way Commander Smart-Touch Switch Panel (total 160 Amps) and used a 200 Amp Relay.

**PROTECTION**

It is recommended to use a fuse holder within the circuit between your device and your KT Commander Smart-Touch Switch Panel for protection. Should you not follow this recommendation, your 12V device is at risk of damage should an electrical fault occur.

**Ensure to follow these instructions to avoid voiding warranty.**

Note: Automotive Electrical & 4WD Accessories will not be responsible or liable for any damages caused by not following instructions stated in this manual. For further warranty information, see page 7 of this manual.

Page 11