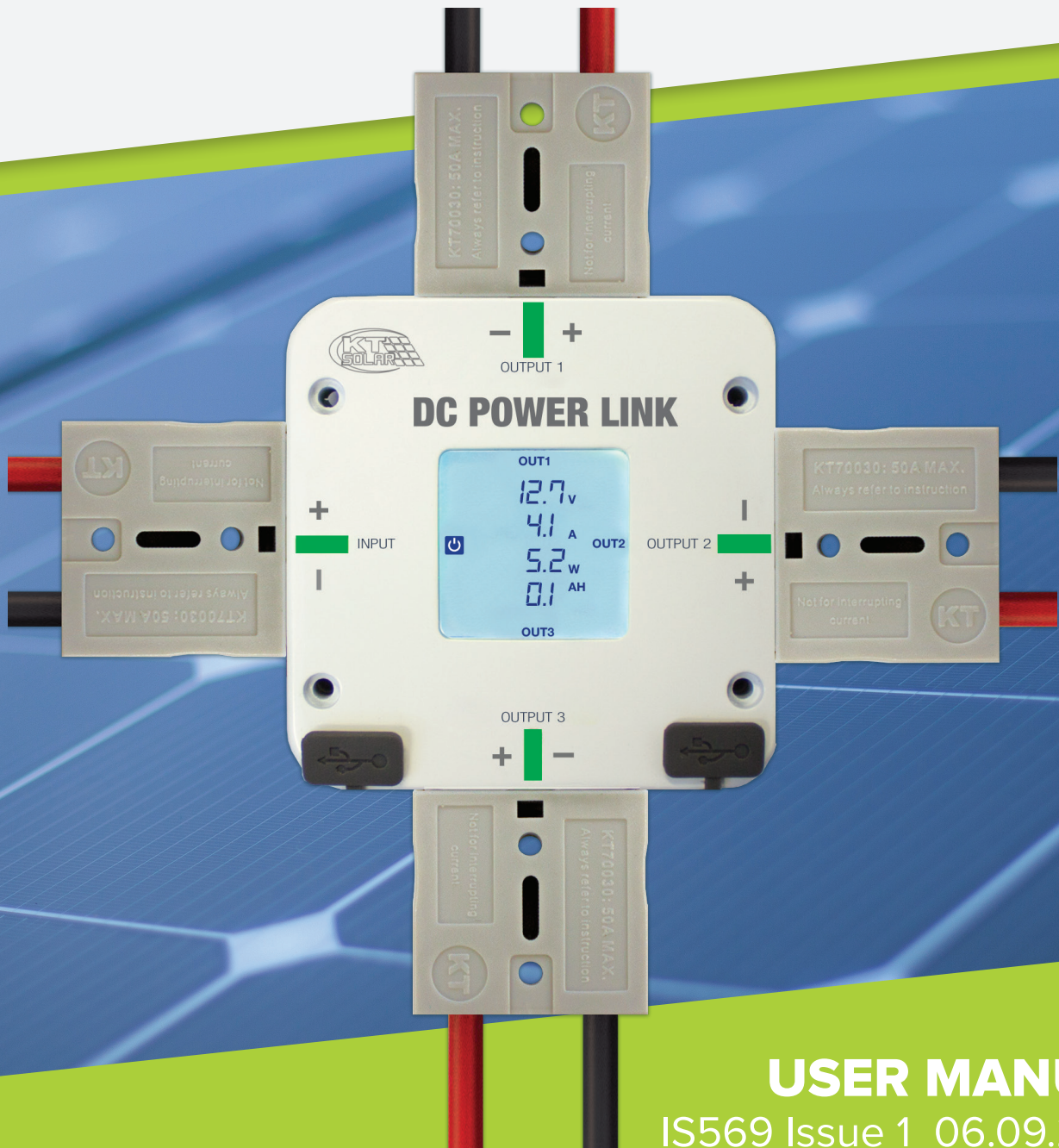




DC POWER LINK

30A 12-24V

Model No. KT70703

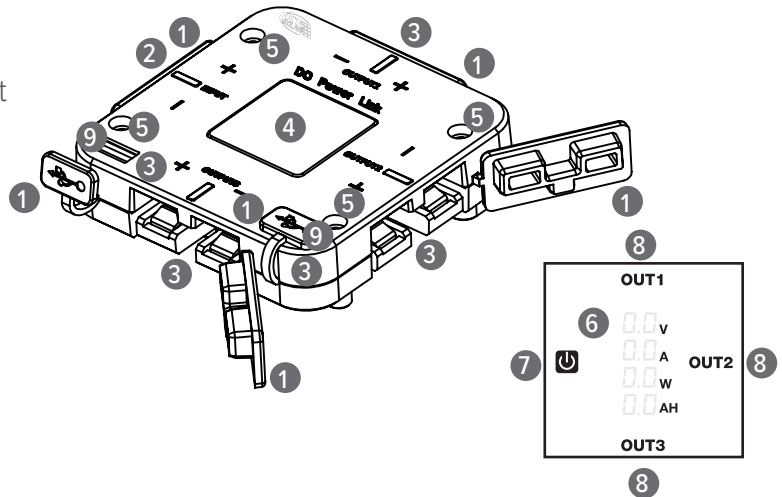


USER MANUAL
IS569 Issue 1 06.09.2023

Please refer to this user manual before using or installing this product.

FEATURES

1. Dustproof Cover
2. 50A Heavy Duty Connector Input
3. 50A Heavy Duty Connector Output (30A Total Output)
4. LCD Screen
5. Mounting Holes
6. Live Readings (Volts, Amps, Watts, Amp Hour/Battery Percentage)
7. Touch Sensitive Power Button
8. Touch Sensitive 'Output' Button
9. USB Outputs



Suitable for use with 50A Heavy Duty Connectors (Grey/Black/Red/Blue)

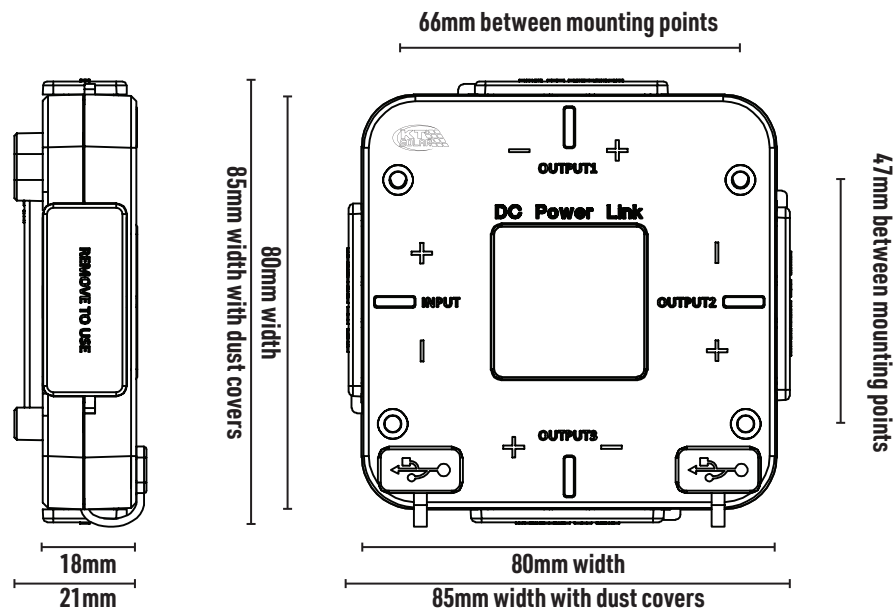
SPECIFICATIONS

- Measure volts, amps, watts, battery percentage & amp hour of 3 'Outputs' in real time (Percentage & amp hour will alternate every few seconds when displaying).
- LCD Backlit Touch Display provides clear, visible readings day or night.
- Automatically cycles through each 'live output reading' in ten second intervals.
- LED indicator flashes to indicate which circuit is currently being displayed on screen.
- Display turns off automatically after 40 seconds.
- 4 mounting points allow easy and secure mounting (Stainless Steel hardware included).
- Easy to identify input (commonly known as source) & output (commonly known as load).
- Dustproof & splashproof.
- Housing manufactured from durable UV Stabilised Polycarbonate mixed with ABS.
- Dimensions (mm): 86 (L) x 86 (W) x 22 (H).
- Connects with 50A Heavy Duty Connectors. (grey, black, red or blue).
- Single input rated to 30A draw.
- 3 Outputs each rated to 15A (30A Unit Total).
- 2.1A & 1A USB Outputs (3.1A Max).

IMPORTANT INFORMATION:

Not suited for direct solar input, battery power source only.
Not suitable for mounting in vehicle engine bays.





OPERATION INSTRUCTIONS

Turn On/Off the DC Power Link

- Remove the dustproof cover from 'Input' and connect battery source via 50A Heavy Duty Connector. (Max Input 30A Draw).
- Once 'source' is connected, screen will light up and activate. The DC Power Link is now turned on.
- 'Input' LED will illuminate green to indicate that the power source is active. The 'Input' Battery Voltage will be displayed on screen.
- DC Power Link will automatically cycle through each circuit in a clockwise direction indicated by an active green flashing LED. The active circuit's 'Live reading' will be displayed on screen for 10 seconds. Input will always remain steady green and not flash.
- Display will turn off automatically after 1 full cycle (40 seconds).
- Each 'Output' reading will display as 0.0 until an output is activated.
- 'Input' screen will show full load of all three 'Output' connections.

Reactivate Screen:

- The screen automatically turns off after one complete cycle (40 seconds). You can reactivate by tapping the 'touch sensitive power button' with your finger. A new cycle will start and the screen will automatically turn off again after 40 seconds.

How to Connect a Device:

- Remove the dustproof cover from the desired 'Output' socket and connect device via 50A Heavy Duty Connector (15A Max per Output, 30A Total).
- To connect a 2.1A / 1A USB Device, remove the dustproof cover and connect device at any time. (Max total USB rating 3.1A).



Activate or Deactivate a Circuit (Turn On/Off a Connected Device):

- To activate a circuit after the device has been connected, hold your finger on the corresponding 'OUT' Icon on screen for three seconds. Your connected device will activate, readings will be live immediately and viewable for a ten second cycle.
- To view reading of device again, while screen is active, tap your finger on the corresponding 'OUT' Icon on screen. To view all output readings again, tap OUT1 and readings will automatically display one at a time in a clockwise rotation.
- After cycling through the rest of the circuits, the screen will automatically turn off.
- Although the screen has turned off, all devices will remain active until turned off or battery source is disconnected from DC Power Link.
- Green LED indicator will illuminate and flash to indicate which circuit reading is being displayed on the LCD screen at the time.
- To turn off a connected device, hold your finger on the corresponding OUT icon on screen for three seconds. Device will turn off and readings will return to 0.0.
- To turn off all connected devices simultaneously, hold your finger on the Power Icon on the screen for three seconds. All devices will turn off except the USB Outputs which will remain live. Power link will still cycle through for 40 seconds before the screen turns off.
- Once device has been turned off via the DC Power Link, it is safe to be removed.

WARRANTY STATEMENT

Brown & Watson International Pty Ltd of 1500 Ferntree Gully Road, Knoxfield, Vic. telephone (03) 9730 6000, fax (03) 9730 6050, warrants that all products described in its current catalogue (save and except for all bulbs and lenses whether made of glass or some other substance) will under normal use and service be free of failures in material and workmanship for a period of one (1) year (unless this period has been extended as indicated elsewhere) from the date of the original purchase by the consumer as marked on the invoice. This warranty does not cover ordinary wear and tear, abuse, alteration of products or damage caused by the consumer.

To make a warranty claim the consumer must deliver the product at their cost to the original place of purchase or to any other place which may be nominated by either BWI or the retailer from where the product was bought in order that a warranty assessment may be performed. The consumer must also deliver the original invoice evidencing the date and place of purchase together with an explanation in writing as to the nature of the claim.

In the event that the claim is determined to be for a minor failure of the product then BWI reserves the right to repair or replace it at its discretion. In the event that a major failure is determined the consumer will be entitled to a replacement or a refund as well as compensation for any other reasonably foreseeable loss or damage. This warranty is in addition to any other rights or remedies that the consumer may have under State or Federal legislation.

IMPORTANT NOTE

Our goods come with guarantees that cannot be excluded under the Australian Consumer Law. You are entitled to a replacement or refund for a major failure and compensation for any other reasonably foreseeable loss or damage. You are also entitled to have the goods repaired or replaced if the goods fail to be of acceptable quality and the failure does not amount to a major failure.

Distributed by:
AUSTRALIA
Brown & Watson International Pty Ltd
Knoxfield Victoria 3180
Phone: (03) 9730 6000
Fax: (03) 9730 6050
National Toll Free: 1800 113 443

NEW ZEALAND OFFICE
Brown & Watson International Pty Ltd
19 Bell Avenue,
Mount Wellington,
Auckland 1060, New Zealand
Phone: (09) 525 4575